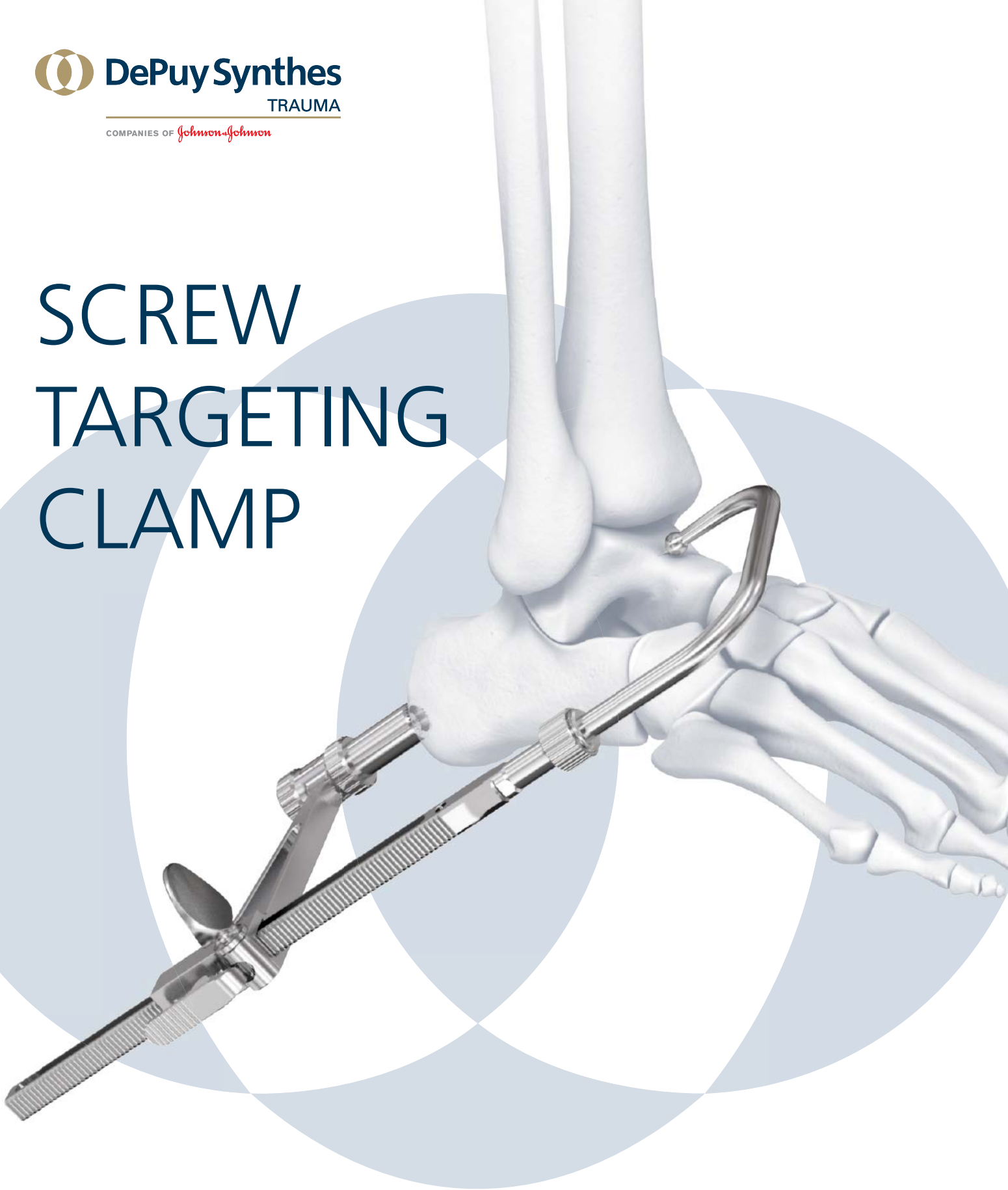


SCREW TARGETING CLAMP



SCREW TARGETING CLAMP

Features

Provides the ability to maintain compression while inserting screws through a targeted area.

Allows placement of solid or cannulated screws, sizes 3.5 mm through 7.3 mm, including:

- 3.5 mm Cannulated, 3.5 mm Low-Profile Cortex, and 3.5 mm Cortex
- 4.0 mm Cannulated and 4.0 mm Cortex
- 4.5 mm Headless Compression, 4.5 mm Cannulated, or 4.5 mm Cortex
- 6.5 mm Headless Compression*, 6.5 mm Cannulated, or 6.5 mm Cancellous
- 7.0 mm Cannulated
- 7.3 mm Cannulated

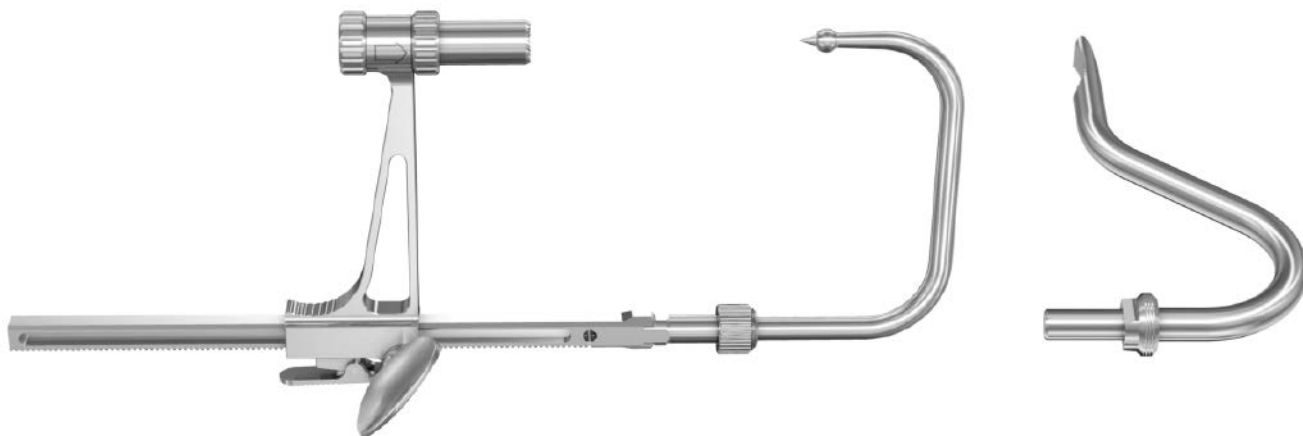
Adjustable rail for ideal screw placement.

Ball-spike arm or Hohmann arm attach to clamp for various anatomic areas.



Applications

Compression of fracture fragments or compression of bones for arthrodesis (e.g., subtalar arthrodesis, tibial plateau fracture, distal femur fracture, syndesmotomic injury).



*Note: The Compression Sleeve for the 6.5 mm Headless Compression Screw (03.227.033) will not fit down the outer sleeve of the Screw Targeting Clamp, however, compression can be achieved using the Screw Targeting Clamp.

SCREW TARGETING CLAMP ASSEMBLY

1

Preparation

Expose the indicated area. The approach will depend on the surgical procedure being performed.

2

Attach outer sleeve

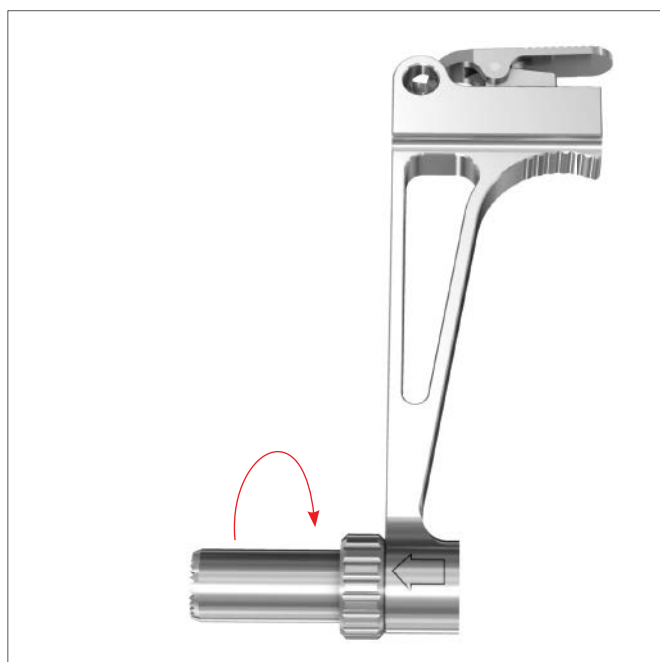
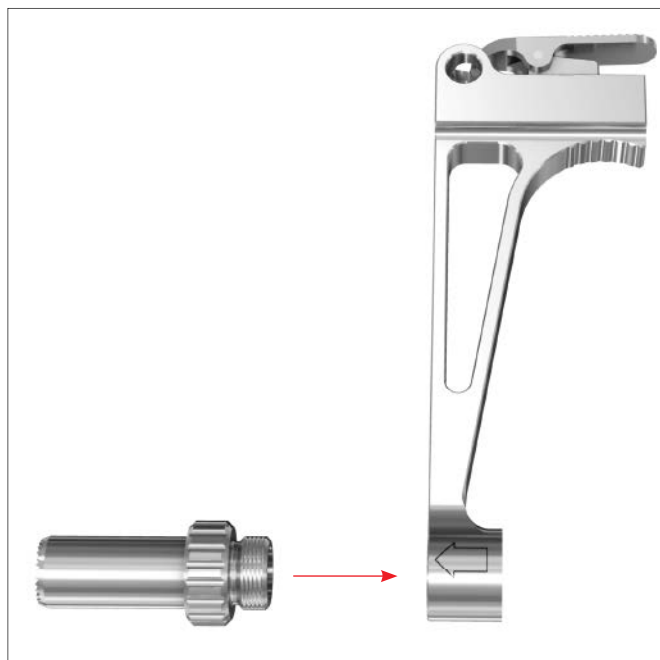
Instruments

03.211.457	Screw Targeting Clamp
03.211.465	Outer Sleeve, small
03.211.466	Outer Sleeve, large

Choose the appropriate outer sleeve for the screw that will be inserted (see chart below). Thread the outer sleeve onto the screw targeting carriage.

Precaution: The arrow etched onto the screw targeting carriage indicates the direction that the screw is inserted.

Screw Type	Outer Sleeve
3.5 mm Cannulated screws	03.211.465
3.5 mm Cortex and 3.5 mm Low-Profile Cortex screws	03.211.465
4.0 mm Cannulated screws	03.211.465
4.0 mm Cortex screws	03.211.466
4.5 mm Cannulated and 4.5 mm Headless Compression screws	03.211.465
4.5 mm Cortex screws	03.211.466
6.5 mm Cannulated and 6.5 mm Headless Compression screws	03.211.466
6.5 mm Cancellous screws	03.211.466
7.0 mm Cannulated screws	03.211.466
7.3 mm Cannulated screws	03.211.466

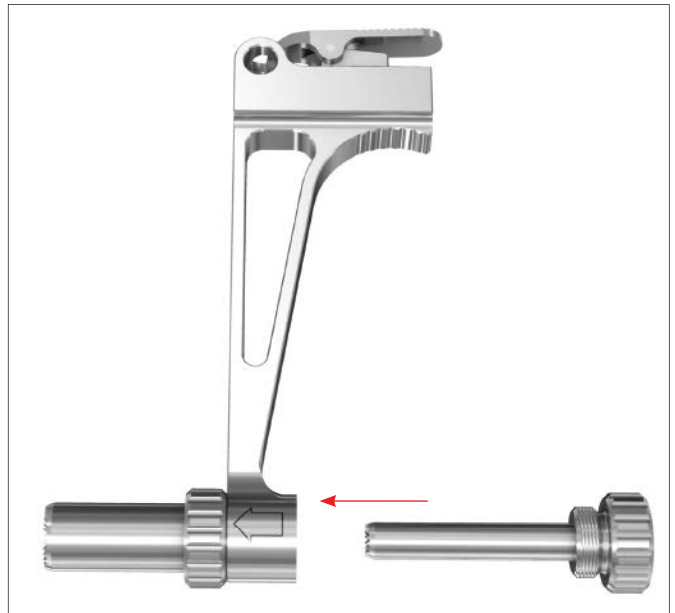


3
Attach inner sleeve

Instruments

03.211.457	Screw Targeting Clamp
------------	-----------------------

	Wire/Drill Sleeves for Screw Targeting Clamp
03.211.458	1.25 mm
03.211.459	1.6 mm
03.211.460	2.5 mm
03.211.461 </td <td>2.9 mm</td>	2.9 mm
03.211.462	3.2 mm



Screw Targeting Clamp Assembly

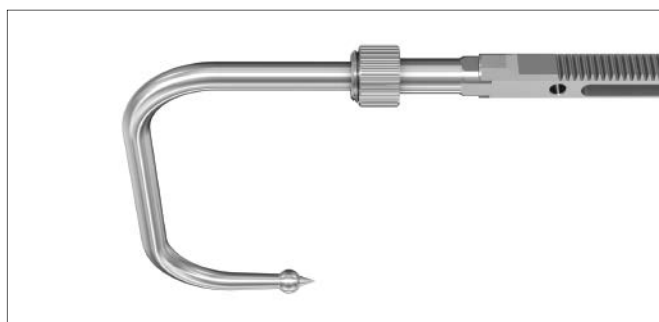
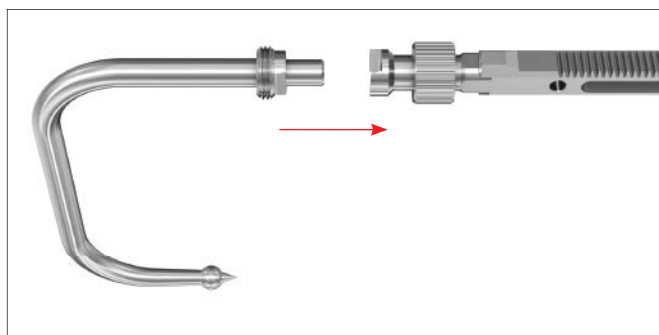
Screw Type	Guide Wire size	Drill size	Wire/Drill Sleeve
3.5 mm Cannulated screws	1.25 mm		03.211.458
3.5 mm Cortex and 3.5 mm Low-Profile Cortex screws	-	2.5 mm	03.211.460
4.0 mm Cannulated screws	1.25 mm		03.211.458
4.0 mm Cortex screws	-	2.9 mm	03.211.461
4.5 mm Cannulated and 4.5 mm Headless Compression screws	1.6 mm		03.211.459
4.5 mm Cortex screws	-	3.2 mm	03.211.462
6.5 mm Cannulated and 6.5 mm Headless Compression screws	2.8 mm		03.211.461
6.5 mm Cancellous screws	-	3.2 mm	03.211.462
7.0 mm Cannulated screws	2.0 mm		03.211.460
7.3 mm Cannulated screws	2.8 mm		03.211.461

4
Connect arm to rail

Instruments

03.211.463	Ball Spike Arm for Screw Targeting Clamp
03.211.464	Hohmann Arm for Screw Targeting Clamp
03.211.457	Screw Targeting Clamp

Assemble the appropriate arm to the targeting clamp rail mechanism. Ensure that the teeth on the rail are opposite to the arm.



5
Insert key in carriage

Instruments

03.211.468 Key for Screw Targeting Clamp

03.211.457 Screw Targeting Clamp

Insert the key into the hole at the top of the carriage.

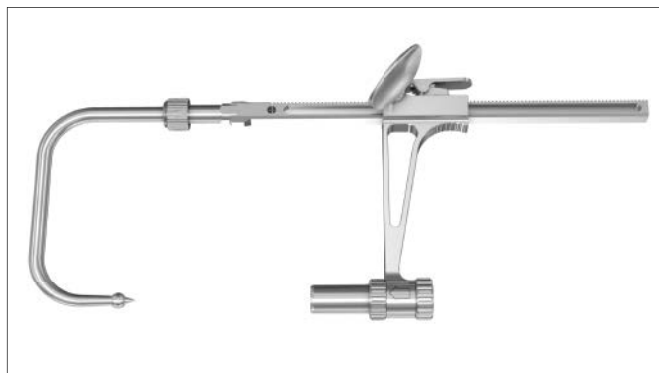
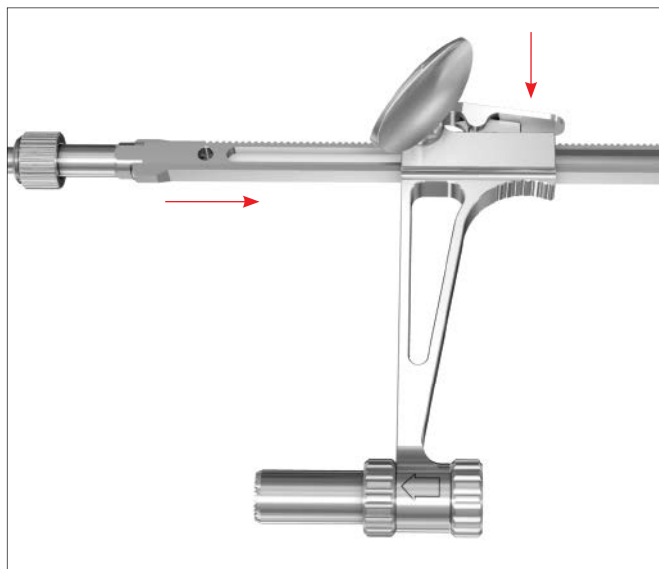
Precaution: The lever at the top of the carriage must be depressed to allow the key to enter the hole.



6

Assemble carriage to rail

Depress the top lever of the carriage while sliding it onto the rail of the targeting device. Use caution to ensure that the key does not fall out of the carriage while the lever is depressed. Release the lever to engage the teeth at the desired position.



COMPRESS AND INSERT SCREW

7

Compress

Place the screw targeting clamp at the screw insertion site. Compress by turning the key until the desired level of compression is achieved.

Note: Do not overcompress the device. Overcompression may cause a change in wire/screw trajectory.

8

Insert wire or drill bit

Insert the appropriate wire or drill bit for the screw that is being inserted.

9

Remove the inner sleeve

Remove the inner sleeve prior to inserting the screw.

10

Insert screw

Insert the desired screw using proper screw insertion technique for that screw type.

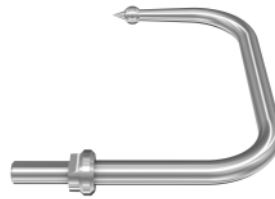


INSTRUMENTS INCLUDED IN THE SCREW TARGETING CLAMP SET

03.211.457 Screw Targeting Clamp



03.211.463 Ball Spike Arm for Screw Targeting Clamp



03.211.464 Hohmann Arm for Screw Targeting Clamp



03.211.465 Outer Sleeve, Small, for Screw Targeting Clamp



03.211.466 Outer Sleeve, Large, for Screw Targeting Clamp



Wire/Drill Sleeves for Screw Targeting Clamp

03.211.458 1.25 mm

03.211.459 1.6 mm

03.211.460 2.5 mm

03.211.461 2.9 mm

03.211.462 3.2 mm



ALSO AVAILABLE

03.211.468 Key for Screw Targeting Clamp



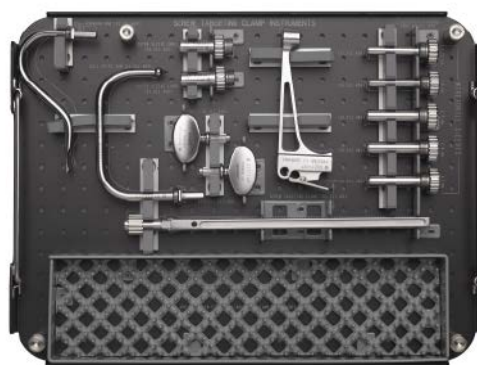
SCREW TARGETING CLAMP SET (01.211.046)

Graphic Case

- 61.116.006 Graphic Case
- 60.211.036 Label sheet for Screw Targeting Clamp
- 60.211.020 Tray for Screw Targeting Clamp

Instruments

- 03.211.457 Screw Targeting Clamp
- 03.211.465 Outer Sleeve, small, for Screw Targeting Clamp
- 03.211.466 Outer Sleeve, large, for Screw Targeting Clamp
- 03.211.458 1.25 mm Wire/Drill Sleeve for Screw Targeting Clamp
- 03.211.459 1.6 mm Wire/Drill Sleeve for Screw Targeting Clamp
- 03.211.460 2.5 mm Wire/Drill Sleeve for Screw Targeting Clamp
- 03.211.461 2.9 mm Wire/Drill Sleeve for Screw Targeting Clamp
- 03.211.462 3.2 mm Wire/Drill Sleeve for Screw Targeting Clamp
- 03.211.463 Ball Spike Arm for Screw Targeting Clamp
- 03.211.464 Hohmann Arm for Screw Targeting Clamp
- 03.211.468 Key for Screw Targeting Clamp



60.211.020

For detailed cleaning and sterilization instructions, please refer to:
www.synthes.com/cleaning-sterilization
In Canada, the cleaning and sterilization instructions will be provided with the Loaner shipments.

Some devices listed in this technique guide may not have been licensed in accordance with Canadian law and may not be for sale in Canada. Please contact your Sales Consultant for items approved for sale in Canada.

CAUTION: Federal Law restricts these devices to sale by or on the order of a physician.



COMPANIES OF 

*Manufactured or distributed
in the United States by:*

Synthes, Inc.
1301 Goshen Parkway
West Chester, PA 19380
Telephone: (610) 719-5000
To order: (800) 523-0322

www.depuysynthes.com

Legal manufacturer in Canada:

Synthes (Canada) Ltd.
2566 Meadowpine Boulevard
Mississauga, Ontario L5N 6P9
Telephone: (905) 567-0440
To order: (800) 668-1119
Fax: (905) 567-3185